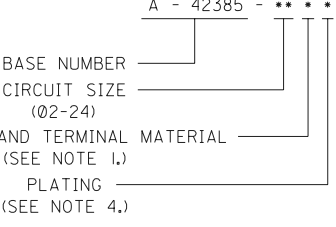


NOTES:

- 1) HOUSING AND TERMINAL MATERIAL:
 - A - HOUSING: NYLON 6/6, U.L. 94V-2, COLOR: NATURAL. TERMINAL: BRASS, ALLOY 260.
 - B - HOUSING: NYLON 6/6, U.L. 94V-0, COLOR: NATURAL. TERMINAL: BRASS, ALLOY 260.
 - C - HOUSING: NYLON 6/6, U.L. 94V-2, COLOR: NATURAL. TERMINAL: PHOS. BRONZE, ALLOY 510.
 - D - HOUSING: NYLON 6/6, U.L. 94V-0, COLOR: NATURAL. TERMINAL: PHOS. BRONZE, ALLOY 510.
- 2) PART MATES WITH MINI-FIT B.M.I. PLUG #42475, AND HEADERS 42404 AND 42440.
- 3) PART IS DESIGNED IN METRIC.
- 4) TERMINAL PLATING:
 - 1 - .000100/(.00254) MIN. TIN OVER .000050/(.00127) MIN. NICKEL.
 - 2 - .000030/(.00076) MIN. SELECT GOLD AND .000100/(.00254) MIN. SELECT TIN-LEAD OVER .000050/(.00127) MIN. NICKEL.
 - 3 - .000100/(.00254) MIN. TIN-LEAD OVER .000050/(.00127) MIN. NICKEL.
 - 4 - .000050/(.00127) MIN. SELECT GOLD AND .000100/(.00254) MIN. SELECT TIN-LEAD OVER .000050/(.00127) MIN. NICKEL.
- 5) DIMENSION TO BE USED FOR ALIGNMENT OF CKT. #1 OF MATING CONNECTOR.
- 6) PHANTOM LINES INDICATE AREAS WHERE TERMINAL STANDOFFS CONTACT P.C. BOARD.
- 7) A MAXIMUM TOLERANCE OF .050/(1.27) ALLOWS FOR 2 POINTS OF ELECTRICAL CONTACT. A MAXIMUM TOLERANCE OF .020/(.51) ALLOWS FOR 4 POINTS OF CONTACT.
- 8) .016/(.40) MAX. BOW PER INCH ALLOWABLE AT DATUM \bar{C} .
- 9) PART ALLOWS FOR UP TO .100/(2.54) MISALIGNMENT WITH MATING CONNECTOR.
- 10) THIS PART CONFORMS TO MOLEX PRODUCT SPEC. NO. PS-5556-0002.
- 11) CONNECTOR ASSEMBLIES ARE NOT TO BE MATED OR UNMATED WHILE CIRCUITS ARE LIVE.

Mates with:
 42404 Series Right Angle Dual Row BMI Header
 42440 Series Vertical Dual Row BMI Header
 42475 Series Dual Row BMI Plug with Panel Mount Ears

LEGEND:

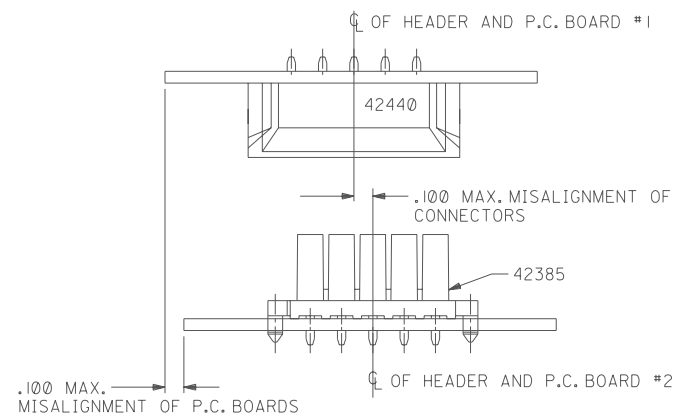


CIRCUIT SIZE	DIM. "A"	DIM. "B"	DIM. "C"
2	—	.21 (5.4)	.370 (9.40)
4	.165 (4.20)	.38 (9.6)	.535 (13.60)
6	.331 (8.40)	.54 (13.8)	.701 (17.80)
8	.496 (12.60)	.71 (18.0)	.866 (22.00)
10	.661 (16.80)	.87 (22.2)	1.031 (26.20)
12	.827 (21.00)	1.04 (26.4)	1.197 (30.40)
14	.992 (25.20)	1.20 (30.6)	1.362 (34.60)
16	1.157 (29.40)	1.37 (34.8)	1.528 (38.80)
18	1.323 (33.60)	1.54 (39.0)	1.693 (43.00)
20	1.488 (37.80)	1.70 (43.2)	1.858 (47.20)
22	1.654 (42.00)	1.87 (47.4)	2.024 (51.40)
24	1.819 (46.20)	2.03 (51.6)	2.189 (55.60)

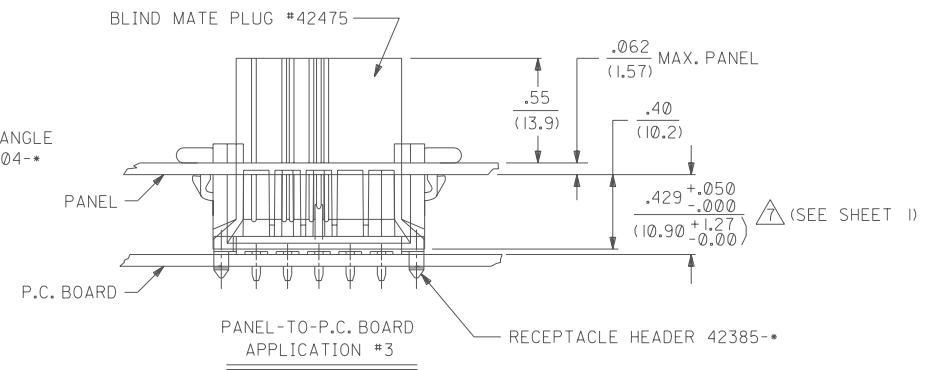
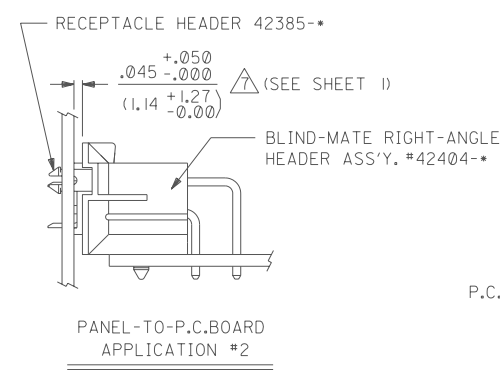
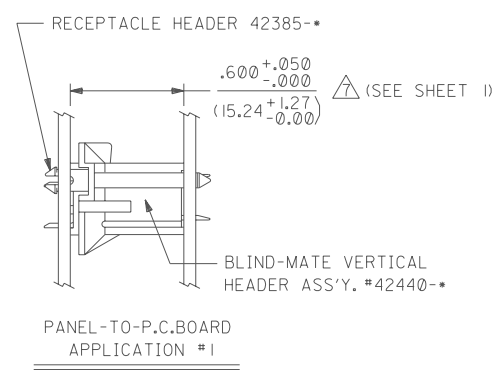
T4	ADDED EDP'S PER ECN# U80564 MANLAPAZ 9-3-97	
T3	ADDED DIM'S. PER ECN U60956 GEP 2-14-96	
T2	FINAL REL. -04A4 ECN U50883 GEP 3-3-95	
T1	ADDED E.D.P.'S ECN U50718 GEP 1-20-95	
T	.016 WAS .010 ECN U40339 GEP 3-11-94	
S	ADDED ALIGNMENT TOL. ECN U31788 93-12-09 A.GUZLIK	
R3	FINAL REL. -18D2 ECN U31513 GEP 10-14-93	
R2	ADDED DIM'S. PER ECN U30702 5-7-93 RJF	
R1	ADDED SHEET 3 ECN U20095 1-22-92 RJF	
R	ADDED NOTE 11 ECN U11700 GEP 8-12-91 RJF	
P	ADDED NOTE 10 ECN U11650 GEP 8-8-91 RJF	
4	T2	ADDED NOTE 9 ECR U10875 GEP 5-3-91 RJF
3	T4	N
2	T1	M
1	T4	REVISED PER ECR U10854 GEP 4-29-91 RJF

DIMENSIONS SHOWN METRIC INCH
 UNLESS OTHERWISE SPECIFIED
 TOLERANCES: ANGULAR ± 1.0° 5°
 INCH METRIC
 3 PLACE ± .010 ---
 2 PLACE ± .015 ± .25
 1 PLACE --- ± .38
 DRAFT WHERE APPLICABLE MUST REMAIN WITHIN DIMENSIONS
 DRWG. BY: RJF
 APP'D. BY: RAS
 CHG'D. BY: JTR
 SCALE: 4:1
 FILE NAME: SA423851 DGN
 THIS DRAWING CONTAINS INFORMATION THAT IS PROPRIETARY TO MOLEX INC. AND SHOULD NOT BE USED WITHOUT WRITTEN PERMISSION.
 MFG. SH. REV. LTR. REVISIONS
 REVISIONS
 RECEPTACLE HEADER ASSEMBLY (MINI-FIT B.M.I. SERIES)
 MOLEX INCORPORATED U.S.A.
 SHEET NO. 1 OF 4
 DATE 12 / 9 / 88
 PART NO. SEE SHT. 3&4
 DRWG. NO. SDA-42385- *
 SIZE CP C





ALIGNMENT TOLERANCES FOR .100 MAX. BOARD-TO-BOARD MISALIGNMENT
(NO CONNECTOR FLOAT)



42385

42385

42385

42385

42385

42385

		K	SEE SHT. I.
		G	SEE SHT. I.
		FI	SEE SHT. I.
		EI	SEE SHT. I.
		E	SEE SHT. I.
T1	SEE SHT. I.	DI	SEE SHT. I.
S	SEE SHT. I.	D	SEE SHT. I.
R3	SEE SHT. I.	A	SEE SHT. I.
LTR.	REVISIONS	LTR.	REVISIONS

DIMENSIONS SHOWN (METRIC) INCH	
UNLESS OTHERWISE SPECIFIED TOLERANCES: ANGULAR ± 1/2°	
INCH	METRIC
3 PLACE ± .015	---
2 PLACE ± .005	± .38
1 PLACE ± .005	± .005
DRAFT WHERE APPLICABLE MUST REMAIN WITHIN DIMENSIONS	
DRWG. BY: RJF	CHK'D. BY: JTR
APP'D. BY: RAS	SCALE: 4 : 1

▽ = 0 ▼ = 0		REVISE ONLY ON CAD SYSTEM	
TITLE			
RECEPTACLE HEADER ASSEMBLIES (MINI-FIT B.M.I. SERIES)			
PART NO. S4423852		DRWG. NO. SDA-42385-*	
FILE NAME S4423852.DGN		DATE 12 / 9 / 88	
MOLEX INCORPORATED U.S.A.		DIV. CP	

